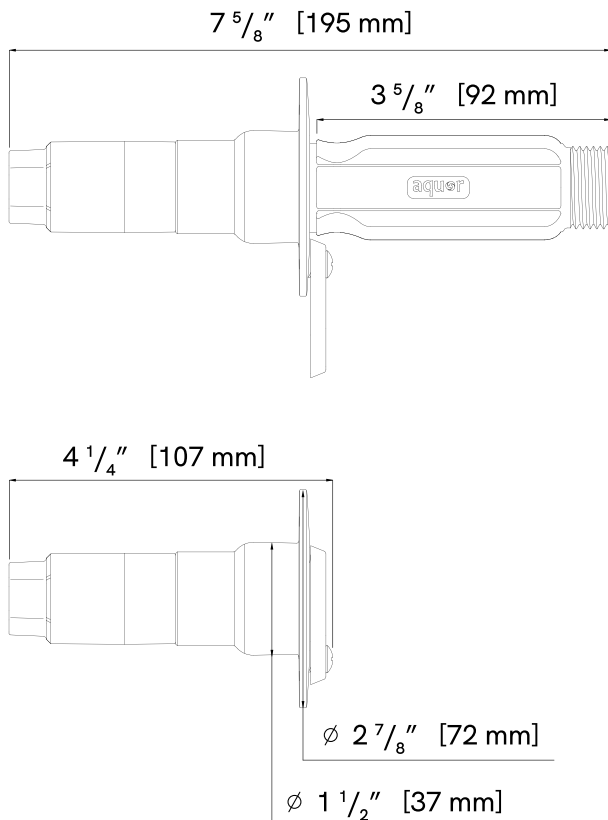




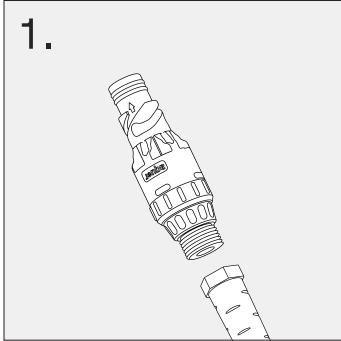
Flush-mounted stainless steel hydrant with hose connector. A reliable, leak-proof water outlet that can be used anywhere water access is needed, on land or sea. Ideal for any marine vessel or washdown application. Can be mounted horizontally or vertically. Polished stainless steel faceplate with "WASHDOWN" marking embossed and painted.

- Instant water access with a simple push & twist
- Install as an inlet or an outlet, horizontally or vertically, on your sailboat, yacht, and more
- Lead-free and corrosion resistant 316L stainless steel, leak-proof Viton® O-rings
- Standard 1/2" female NPT inlet included, optional 90° elbow also available
- To configure outlet as an intake, remove the check valve



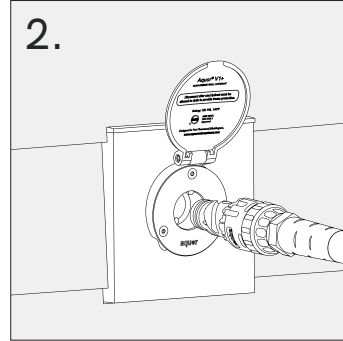
<b>In the Box</b>	Hydrant w/Swivel Cover, CN-S1-B
<b>Common Use</b>	Boats, Yachts
<b>Backflow Protection</b>	Yes, built-in check valve
<b>Entry Hole</b>	1.5"
<b>Inlet</b>	1/2" NPT (f)
<b>Outlet</b>	3/4" GHT (m)
<b>Operating Temperature</b>	33-140 °F
<b>Operating Water Pressure</b>	25-125 PSI
<b>Flow Rate</b>	6.8 GPM @ 52 PSI
<b>Plumbing Compatibility</b>	All (PEX recommended)
<b>Hydrant Material</b>	316L Stainless Steel
<b>Connector Material</b>	Acetal Resin Polymer
<b>O-Ring Material</b>	Fluorocarbon Rubber
<b>Cover Material</b>	ASA Thermoplastic
<b>Warranty</b>	10 Years stainless steel, 5 Years polymer
<b>SKU</b>	DW-3

## Connecting to your Aquor Hydrant



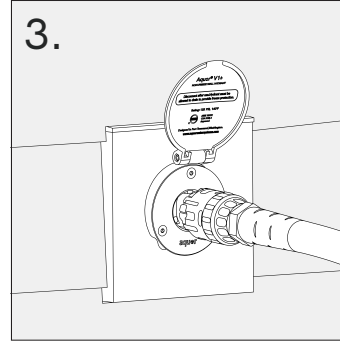
First thread your hose connector onto any hose.

*Wide Grip Connector shown for demonstration.*



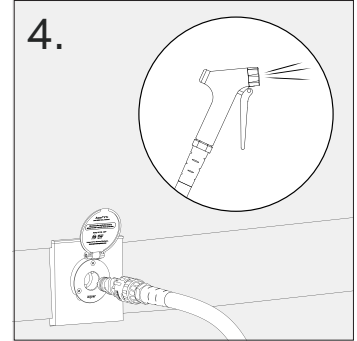
To connect, align the 3 grooves on the connector with the nibs on the hydrant. Gently push in, then twist clockwise.

*Wide Grip Connector and House Hydrant V1+ shown for demonstration.*



Once you connect, the valve opens and water flow starts instantly.

*Wide Grip Connector and House Hydrant V1+ shown for demonstration.*



Disconnect and depressurize your hose before storing.

*Wide Grip Connector and House Hydrant V1+ shown for demonstration.*